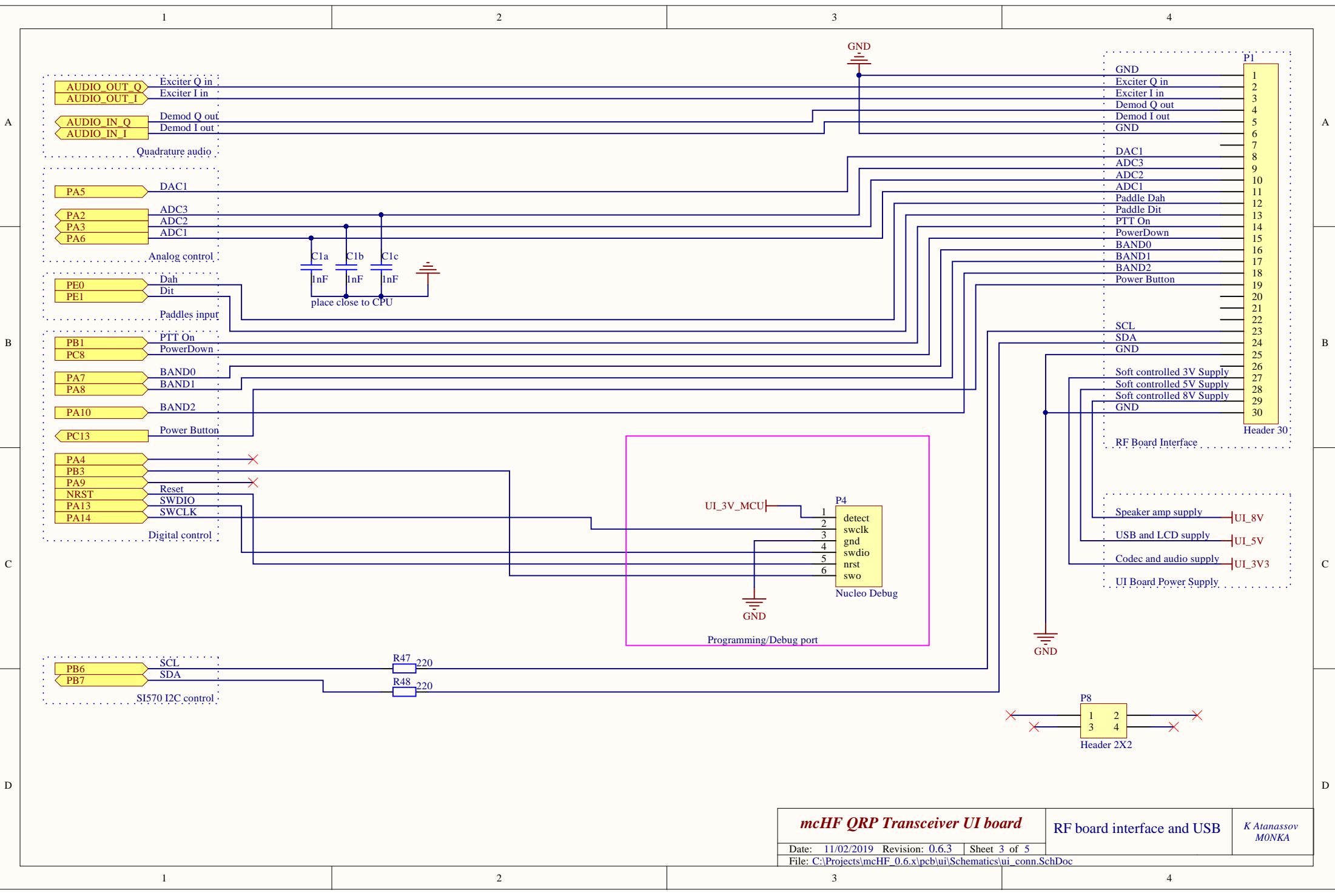
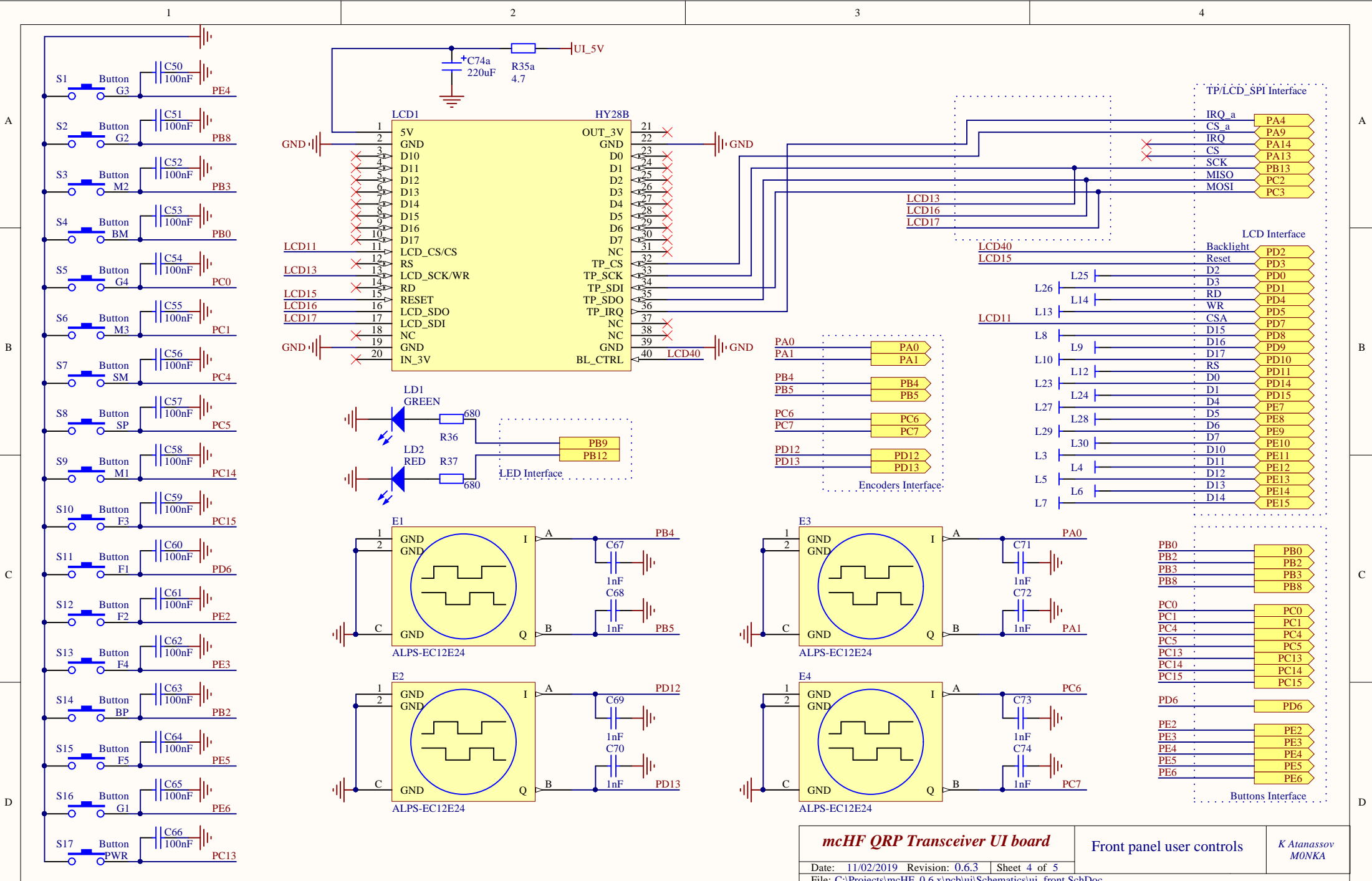


<b>mcHF QRP Transceiver UI board</b>			Codec and audio switching	K Atanassov MONKA		
Date:	11/02/2019	Revision:			0.6.3	Sheet 2 of 5
File: C:\Projects\mcHF_0.6.x\pcb\ui\Schematics\ui_audio.SchDoc						





A

A

B

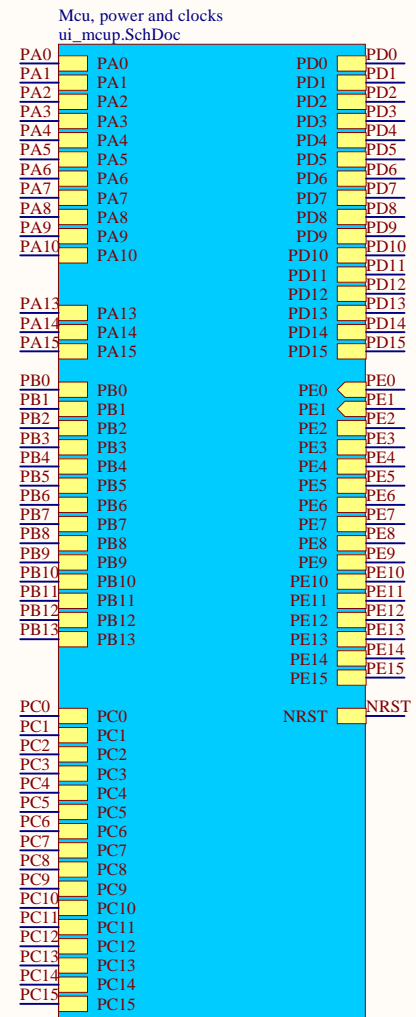
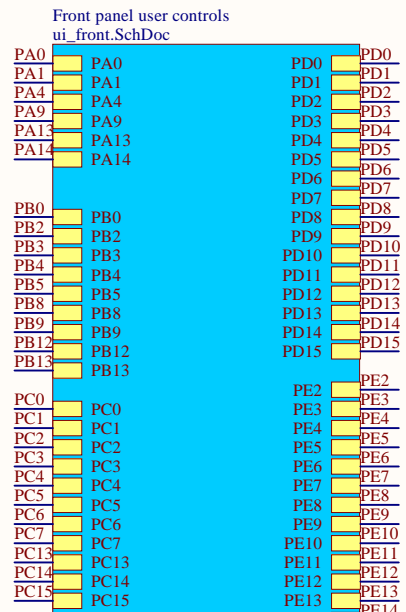
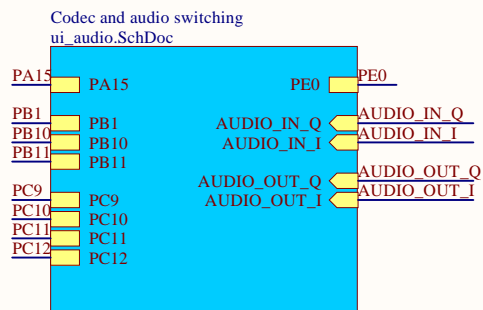
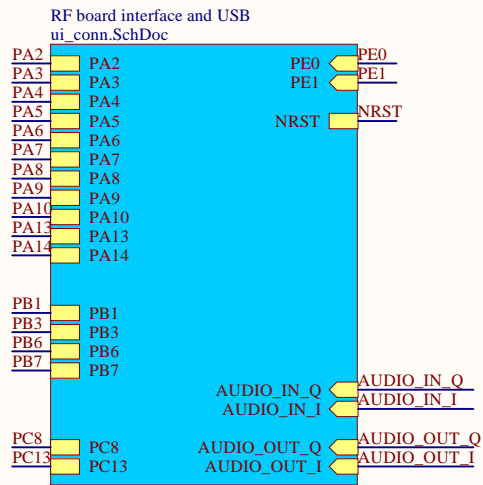
B

C

C

D

D



**Jumper configurations**

Part	Default	Optional
R43a	USB host power from RF board 5V supply(R43a on)	USB host power from separate regulator(R43a off)
R42,R43,R44	Main clock from Xtal(R44 off,R42 and R43 on)	Main clock from TCXO(R44 on,R42 and R43 off)

